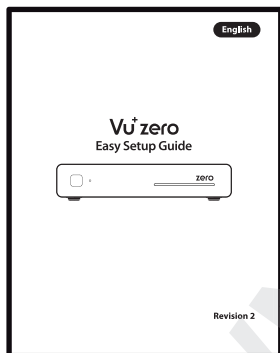
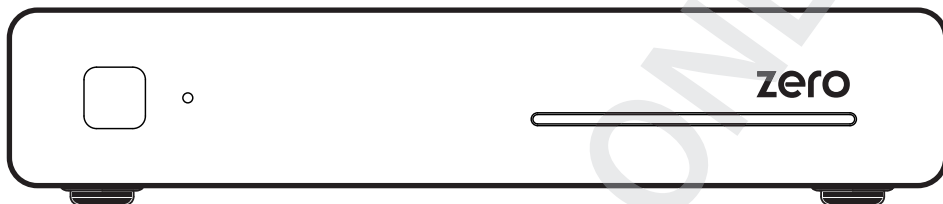


# Vu<sup>+</sup> zero

## Easy Setup Guide



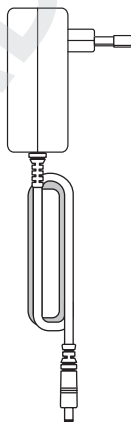
# What's included?



Easy Setup Guide



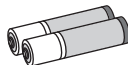
HDMI Cable



Power Adapter



External IR Cable

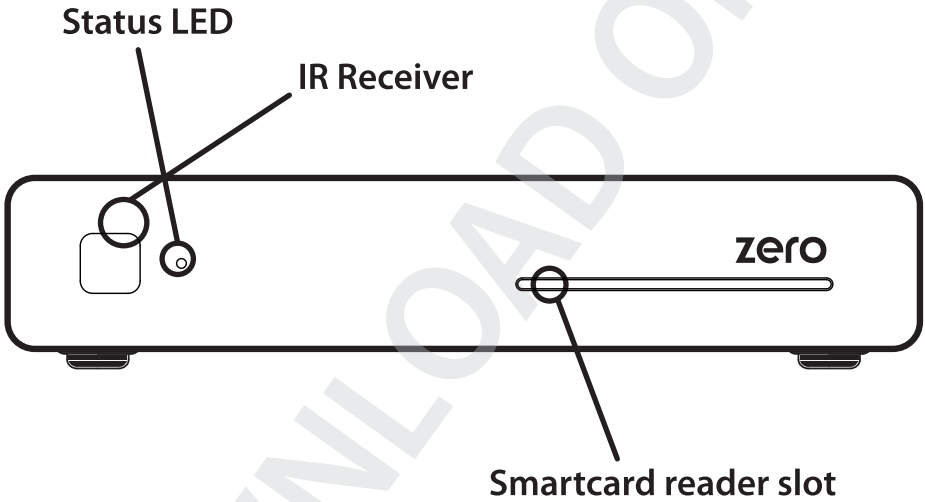


RCU Batteries

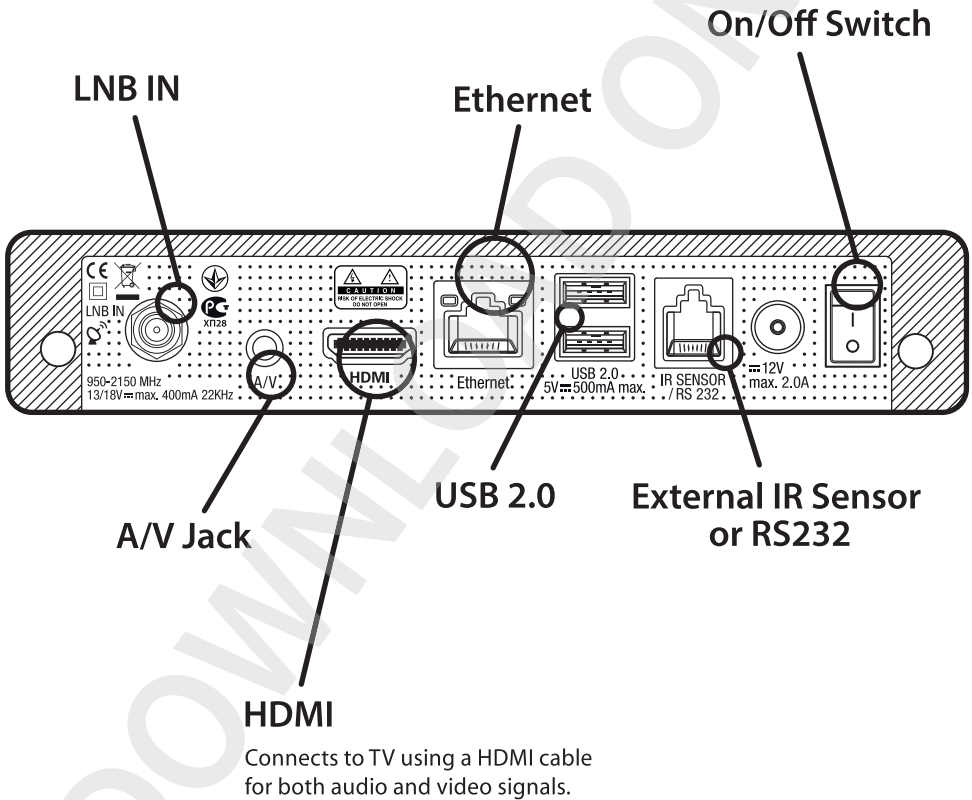


RCU

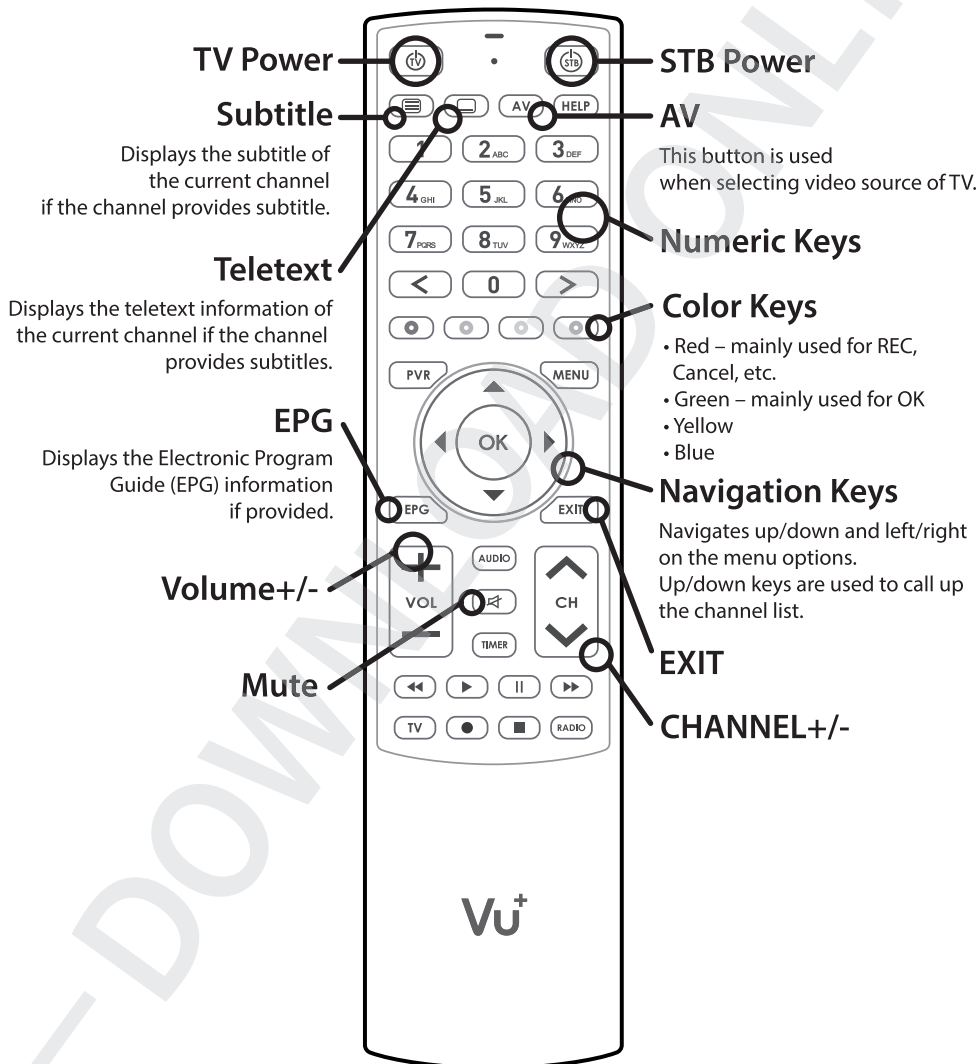
# Front Panel



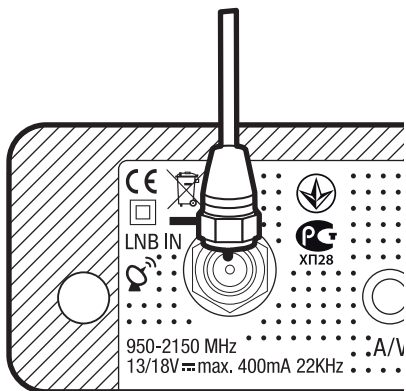
# Rear Panel



# Remote Control



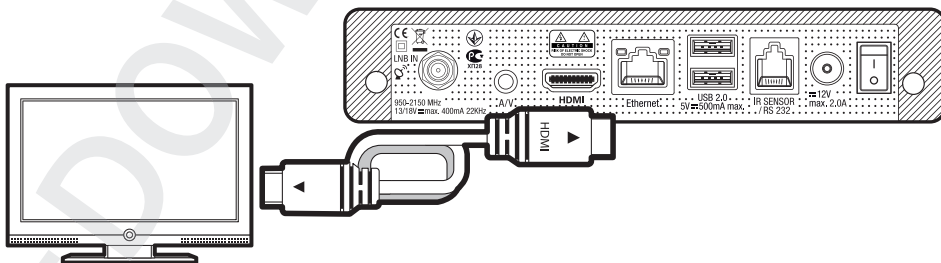
# Connecting Cable



**1. Connect a Satellite signal cable to the tuner input.**

## 2. Connect ZERO to the TV

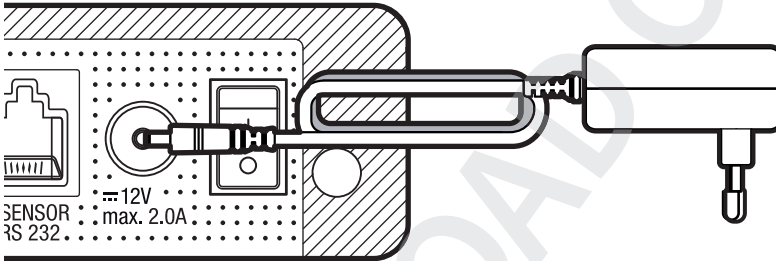
One HDMI cable is included in the accessory box. Connect one end of the cable to the HDMI input of TV. Connect the other end to the HDMI output of ZERO.



# Connecting Cable

## 3. Power Up

A power cord and an adapter are provided in the accessory box. Plug the round end of the adapter power cord into the power input of ZERO



### ⓘ NOTE

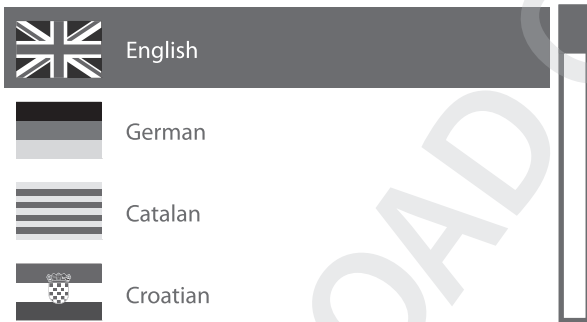
AC input condition

- Nominal Voltage Range: 100 – 240 VAC
- Maximum Voltage Range: 90 – 264 VAC
- Nominal Frequency: 50 / 60 Hz
- Maximum Frequency Range: 47 – 63 Hz

# Run First Time Installation

## Step 1. Language Selection

Please use the UP and DOWN keys to select your language.  
Afterwards press the OK button.



## Step 2. Configuring Satellite Connection

Welcome.

This start wizard will guide you through the basic setup of your STB.  
Press the OK button on your remote control to move to the next step.

English



# Run First Time Installation

Use the up/down keys on your remote control to select an option. After that, press OK.

English

Use wizard to set up basic features

Exit wizard



Use the left and right buttons to change an option.

English

Configuration Mode not configured

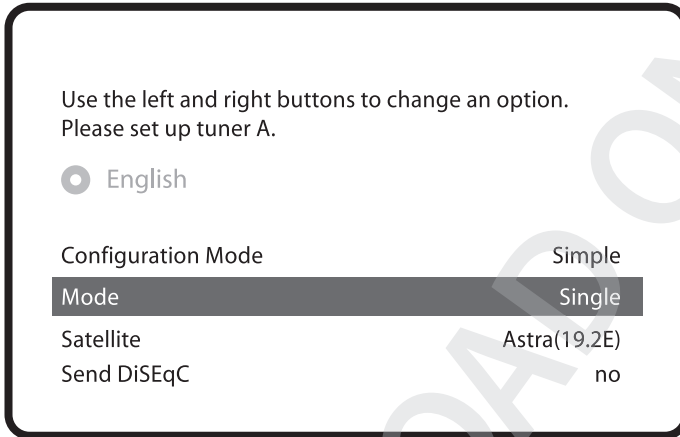


Using LEFT/RIGHT key, you can choose one of the following Configuration Modes:

- Nothing connected
- Simple
- Advanced: for an advanced user configuration.

# Run First Time Installation

If you choose Simple configuration mode, the following picture will appear.



The five modes are available for the satellite cable connection between LNB and your Vu+ as below :

- Single

This option is used to receive a single satellite with a single LNB. The cable from LNB is directly connected to Vu+.

For the other modes, please refer to the user manual of ZERO.

# Run First Time Installation

## Step 3. Install Default Service List

Here you will be asked whether you want to install the default satellite lists. Press OK and the following image appears:

Do you want to install default sat lists ?

English

Yes	
No	

Please choose the default services lists you want to install.

English

Astra(19.2E)	no
Hotbird(13.0E)	no

# Run First Time Installation

## Step 4. Channel Scan

- Selecting Scan Mode - Automatic Scan / Manual Scan

Channel scanning is possible either in Automatic Scan mode or Manual Scan mode.

Do you want to do a service scan?

English

Yes, do an automatic scan now

Yes, do a manual scan now

No, scan later manually

Press OK to initiate the channel scan.

Service Scan

scan done! 2 services found!

ANIXE HD

ASTRA HD+

- Channel Scanning

The scanned channels will be displayed if the previous configurations have been done correctly.

# Run First Time Installation

## Step 5. Parental Control Option

Here you can choose whether to enable the parental control option. If you press OK, you will be asked to enter PIN number

*Parental control setup*

Enable parental control	yes
Protect setup	no
Protect services	no



Change pin code

New PIN	****
Reenter new PIN	****

## For more information about ZERO

1. Go to "Plugins" from Main Menu
2. Click "Opera Web Browser"
3. Go to "Tools" - "Bookmark"
4. Click "User Manual"

### **TIP**

Easy way to consult the manual: By long pressing 'Help' button, you can also access to On-Screen Manual page.

\* The content in this Easy Setup Guide is subject to change without notice.

## A Guide to Request of GPLv2 based Software

This product contains software whose rights holders license it on the terms of the GNU General Public License, version 2 (GPLv2). You can find the text of this license in its English original version in the manual for this product. We will provide you with the complete corresponding source code of the software licensed under the GPLv2.

if you send us a written request by email to the following addresses:

Vu+ Support Team, [support@vuplus.com](mailto:support@vuplus.com)

detailing the name of the product and indicating how we can contact you.

Please note that we will ask you to pay us a certain amount of money for the costs incurred.

The amount can be varied according to your location and Vu+ Support Team will notify the exact cost when receiving the request.

This offer is valid for three years from the moment we distributed the product.

In addition, you can access the source code for our devices using the command below.

```
git clone http://code.vuplus.com/git/dvbapp.git
```

# PRECAUTION!!!

This Product has been designed and manufactured in compliance with EU consumer safety requirements (CE). Please read the following safety precautions carefully.

## 1. Connecting Power

- This product operates only in the range of AC100-240V and 50Hz/60Hz. Please check first your power supply to see if it fits this range.
- Please be noted that you need to disconnect from the mains before you start any maintenance or installation procedures.
- Make sure that the power cord is placed in a position where it is easy to unplug it from the mains in an emergency.

## 2. Overloading

- Do not overload a wall outlet, extension cord or adapter as this may cause electrical fire or shock.

## 3. Liquid

- This product is not water-proof and should not be exposed to dripping, splashing, or any type of liquid.
- No objects filled with liquid such as base shall be placed on the product.
- Please do not clean the product with wet cloth, which may cause a short circuit.
- No wet objects should be placed near the product.

## 4. Ventilation

- Allow a sufficient space between the product and other objects to make sure air ventilation of the product.
- Do not block the top or rear of the product with an object, which will close the ventilation holes and lead to a high temperature of the system. This may cause a failure of the product.
- Do not stack other electronic devices on top of the product.
- Do not insert any kind of pointed objects like screw, gimlet, etc. into the ventilation holes of the product. This will damage the product.

## 5. Connecting the Satellite Cable.

- Disconnect the power of the product before you connect the satellite cable to the product. Otherwise, it may cause damage to the LNB.

## 6. Grounding

- The LNB must be earthed to the system earth for the satellite dish.

## 7. Location

- Place the product indoor.
- Do not expose the product to rain, sun or lightning.
- Do not place the product near any heat appliances as a radiator.
- Ensure that there is more than 10 cm distance from any electrical devices and wall.

## 8. Lightning, Storm or Not In Use.

- Unplug the product and disconnect the antenna cable during a thunderstorm or lightning, especially when left unattended and unused for a long period of time. This will prevent possible damages from power surges or lightning.

## 9. Replacement of Parts

- Unauthorized part replacements, especially by one who is not a qualified technician may result in damage to the product.
- Ensure that when part replacements are necessary qualified technicians perform the task using the components specified by the manufacturer.

## 10. Hard Disk Drive

- Do not move the product or turn the power off suddenly while the Hard Disk Drive (HDD) is still running. This may result in damage to the HDD and thus the system.
- The company shall not be liable for any corruption of data on the HDD caused by careless use or misuse of users.

## 11. Battery

- There is danger of explosion if batteries are incorrectly replaced.
- Replace batteries only with the same or equivalent type.



## **CE Certificate Note**

Hereby TEMABEL Limited declare, that the device Vu+ ZERO is in compliance with the essential requirements and other relevant provisions of Directive 2014/53/EU.

The full CE Declaration of Conformity document you can download at

**<http://www.vuplus.com/sub/sub0303.php>**

DOWNLOAD ONLY